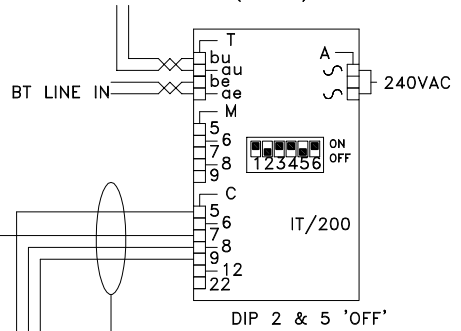


NOTE:
ENSURE THAT THE CORRECT DIP SWITCHES ARE SET AND THAT THE IT/200 IS PROGRAMED AS PER ITS MANUAL. (IE. 29-0, 63-1)

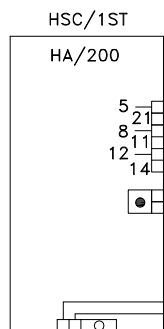
ENSURE THAT THE BT LINE 'IN' IS AN ANALOGUE LINE NOT ISDN.

BT LINE OUT TO DTMF TELEPHONES (5 MAX)

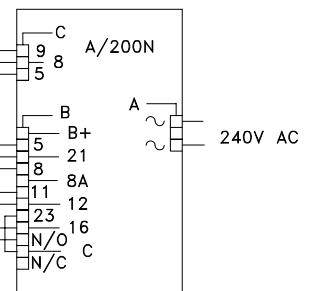


4 CORES @ 0.5MMSQ (FOR 50M)

6 CORES @ 0.5MMSQ
+ 2 CORES @ 1.0MMSQ (FOR 150M)



DOOR RELEASE 12VAC
FAIL LOCKED



BPT (UK) LTD.
HERTS. ENGLAND

PREPARED FOR
INSTALLER INFORMATION

DATE: 04/12/03

DRAWN:RC

REVISED:

DRAWING TITLE:

1 X 1 BUTTON TARGHA AUDIO ENTRY PANEL
& 1 BT TELEPHONE INTERFACE

DRAWING No: E-1T111L